



Main Features:-

- ◆ 2 Piece WCB Carbon Steel Body, Full Bore
- ◆ CF8 Stainless Steel Ball, 304 SS Stem
- ◆ Flanged PN16 RF,
- ◆ PN40 1/2" to 2", PN16 2 1/2" to 6"
- ◆ Temperature -10°C to 180°C

*Temperature and pressure determined by valve body, seat etc.



Suitable Applications & Approvals:

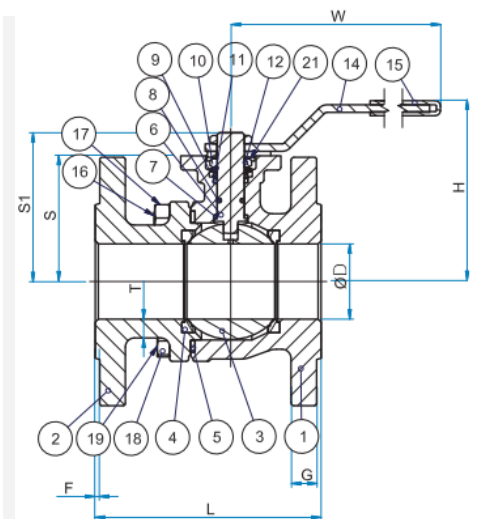


SERIES: 10129

MANUFACTURER: **AVOL**
INDUSTRIAL VALVES

VALVE DIMENSIONS

No	Name	Material
1	Body	WCB
2	Cap	WC SSB
3	Ball	CFTFM1600
4	Seat	Graphite
5	Joint Gasket	AISI 316
6	Stem	PTFE
7	Thrust Washer	Viton
8	O'Ring	Graphite
9	Stem Packing	AISI 304
10	Stem Ring	AISI 304
11	Belleville Washer	AISI 304
12	Stem Nut	AISI 304
13	Stopper	AISI 430
14	Handle	Plastic
15	Handle Cover	AISI 304
16	Nut	AISI 304
17	Stud Bolt	AISI 304
18	Nut	AISI 304
19	Stud Bolt	AISI 304
20	Stopper Pin	AISI 304
21	Lock Washer	AISI 304



Additional Features

- API 607 & TA-LUFT Approved
- TFM 1600 Seats
- Graphite Packing

Torque Figures (Nm)

Size	1/2"	3/4"	1"	1 1/4"	1 1/2"	2"	2 1/2"	3"	4"	5"	6"
Torque	5	8	10.5	15	20.5	31	37	62	97	160	210



T +44 (0)1386 552369

E sales@allvalves.co.uk

W www.allvalves.co.uk

F +44 (0)1386 554227



BALL VALVES

ALLVALVES
ONLINE

AVOL
INDUSTRIAL VALVES

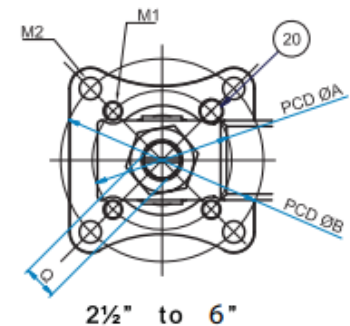
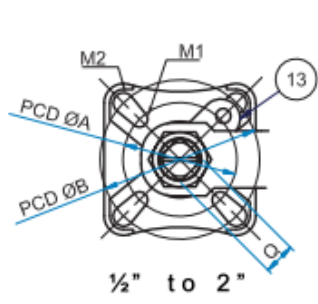
AVOL valves are our range of industrial valves selected by our experienced technical sales team.

SERIES: 10129

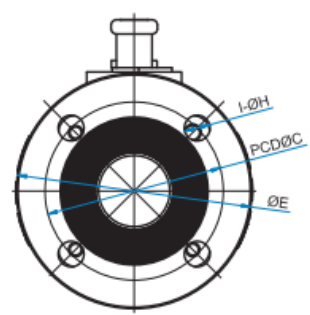
VALVE DIMENSIONS

Size	D	F	G	L	W	H	S	SI	T	Kg
1/2"	15	2	14	115	110	89	46.5	56	3.1	2.2
3/4"	20	2	16	120	110	94	51.5	61	5	3
1"	25	2	16	125	136	95	57.5	67	6	3.8
1 1/4"	32	2	16	127	175	105.7	71.5	87	6	5.7
1 1/2"	40	3	16	140	203	111.7	76.5	92	6	6.9
2"	50	3	17	150	203	117.7	83.5	99	6.5	9.4
2 1/2"	65	3	15	170	277.5	155.5	118.5	137	6.5	14.6
3"	80	3	17	180	277.5	166.5	129.5	148	7	19
4"	100	3	17	190	377.5	182	145	163.5	7	26.6
5"	125	3	22	325	415	215	158	205	6.8	26.6
6"	150	3	22	350	415	215	175	222	7.1	60.6

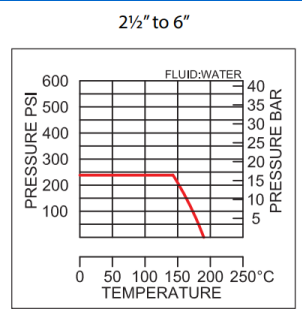
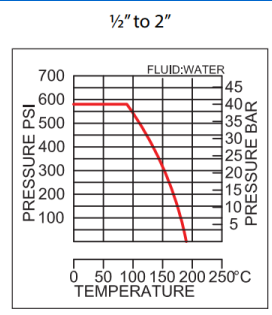
Size	A	B	M	M2	Q
1/2"	42	-	Ø6	-	9
3/4"	42	50	R3	R3.5	9
1"	42	50	R3	R3.5	11
1 1/4"	50	70	R3.5	R4.5	14
1 1/2"	50	70	R3.5	R4.5	14
2"	50	70	R3.5	R4.5	14
2 1/2"	70	102	Ø9	Ø11	17
3"	70	102	Ø9	Ø11	17
4"	70	102	Ø9	Ø11	17
5"	102	125	Ø12	Ø14	27
6"	102	125	Ø12	Ø14	27



Size	C	E	I-H
1/2"	65	95	4-14
3/4"	75	105	4-14
1"	85	115	4-14
1 1/4"	100	140	4-18
1 1/2"	110	150	4-18
2"	125	165	4-18
2 1/2"	145	185	4-18
3"	160	200	8-18
4"	180	220	8-18
5"	210	250	8-18
6"	240	285	8-22



Pressure/ Temperature Charts



ALL VALVES ONLINE

AllValves Online™ have used decades of experience in the valve industry to select a range of products that match the AllValves Online ethos - value for money. All Valves Products are from reputable sources and have been sold in significant quantities for many years, are installed in a wide variety of applications.



T +44 (0)1386 552369
E sales@allvalves.co.uk

W www.allvalves.co.uk
F +44 (0)1386 554227